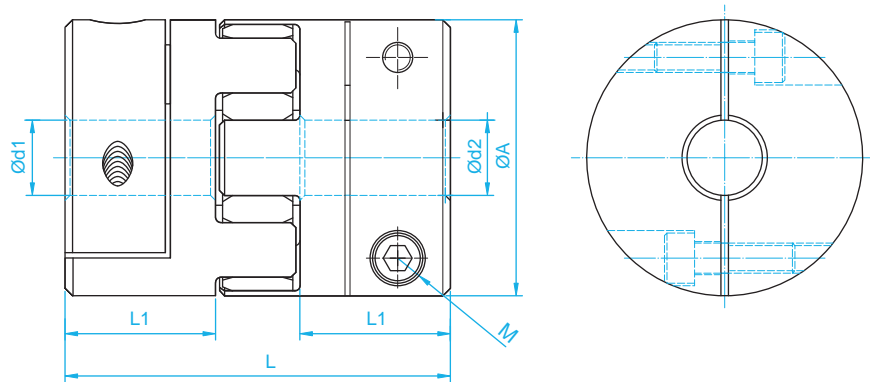


## G. Coupling

## SRJ Specifications



Unit: mm

Model No.	A	L	L1	dmax	(H8)d1xd2		M
					d1	d2	
SRJ-20C	20	30	10	10	5, 6, 6.35, 7, 8		M3
SRJ-30C	30	35	11	16	6, 6.35, 8, 9, 9.5, 10, 11, 12, 14		M4
SRJ-40C	40	66	25	22	10, 11, 12, 14, 15, 16		M5
SRJ-55C	55	78	30	28	15, 16, 18, 19, 20, 22, 24, 25		M6
SRJ-65C	65	90	35	38	15, 16, 18, 19, 20, 22, 24, 25, 28, 30, 32, 35		M8

※ Specifications Number : SRJ-AC-d1 x d2

※ Material : Aluminum Alloy

※ Buffer Material : Engineering Class Plastic

## Function



Model No.	Rate Torque (N · m)	Max Torque (N · m)	Max Rotational Spring Rigidity (min <sup>-1</sup> )	Static Torsion Spring Rigidity (N · m/rad)	Dynamic Torsion Spring Rigidity (N · m/rad)
SRJ-20C	5	10	15200	51.0	151
SRJ-30C	12.5	25	10200	170.9	505
SRJ-40C	17	34	7600	857.5	2571
SRJ-55C	60	120	5600	2060	6163
SRJ-65C	160	320	4700	3430	10291

Model No.	Weight (g)		Mass Moment of Inertia J (kg·m <sup>2</sup> )		Radial (mm)	Angular (°)	Axial (mm)
	each hub	spider	each hub	spider			
SRJ-20C	8.5	1.7	0.46x10 <sup>-3</sup>	0.073x10 <sup>-3</sup>	0.10	1.0	0.8
SRJ-30C	18	4.2	2.5x10 <sup>-3</sup>	0.45x10 <sup>-3</sup>	0.15	1.0	1
SRJ-40C	64	6.5	20.1x10 <sup>-3</sup>	1.44x10 <sup>-3</sup>	0.15	1.0	1.2
SRJ-55C	130	17.4	50.5x10 <sup>-3</sup>	7.3x10 <sup>-3</sup>	0.2	1.0	1.4
SRJ-65C	250	28.6	200.1x10 <sup>-3</sup>	16.3x10 <sup>-3</sup>	0.2	1.0	1.5

