

※ ISM6045 SERIES

Suitable for manual pulse input type such as NC or milling machinery

High reliability, terminal connection type

Power supply: 5V DC, 12V DC

Customer's logo is available

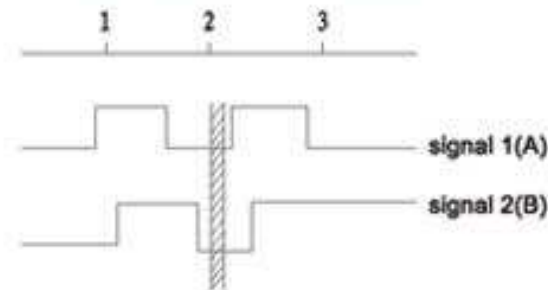
Application:

Industrial tooling machinery



Output waveform

90° Output phase difference, CW rotation (CW rotation as seen from fit surface)



A leads B clockwise when viewing the encoder shaft end. Click-stop position falls within hatched area.

Terminal assignment

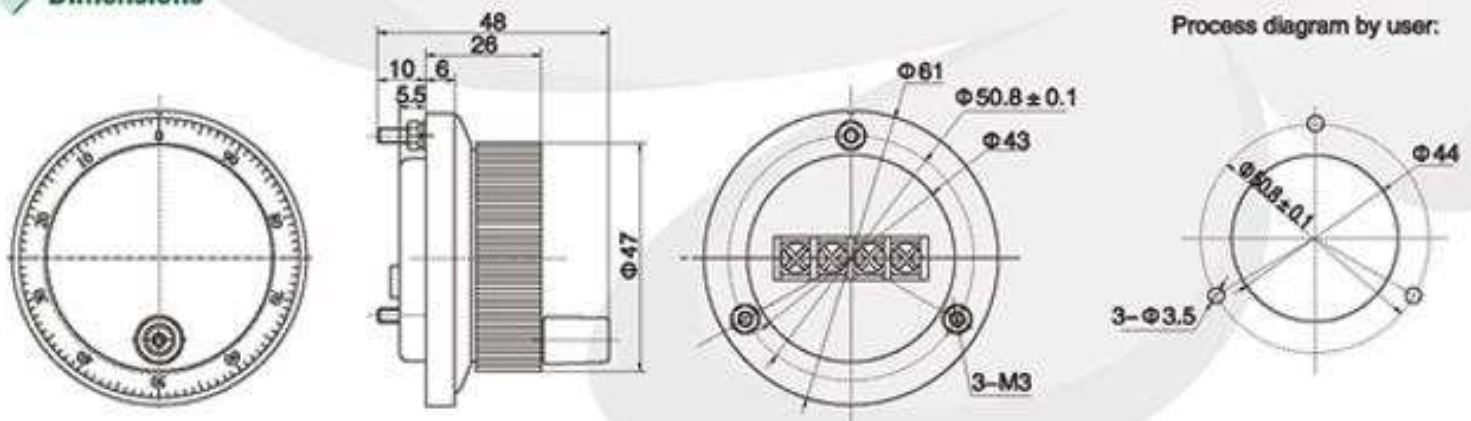
Code	1	2	3	4	5	6
Line driver output	+5V	0V	SIG A	SIG A	SIG B	SIG B
Other Output circuit	+5V	0V	SIG A	SIG B	-	-

Ordering code

ISM6045	—	002	100	B	—	12	E
Series		Sequence Number	Number of Pulses	Output Signals		Supply Voltage	Output Circuit

Series: ISM6045, Number of pulses: 100 p/r, Output signals: AB, Supply voltage: 12V DC, Output circuit: Voltage, Record: ISM6045-002-100B-12E

Dimensions



◆ TECHNICAL SPECIFICATIONS

ELECTRICAL SPECIFICATIONS	
Output wave	Square wave
Output signals	A, B(Line driver output A, A, B, B phase)
Current consumption	≤ 100mA
Response Frequency	0~20KHz
Output phase difference	90° ± 45°
Supply voltage	5V DC, 12V DC
Signal level	V _H ≥ 85%V _{CC} , V _L ≤ 0.3V
Number of pulses	100 (Other number of pulse available on request)
Output circuit	Open collector NPN, Push pull, Line driver, Voltage
MECHANICAL SPECIFICATIONS	
Signal position	4 kind
Speed without sealing	500rpm
Starting torque without sealing	≤ 1.0x 10 ⁻³ Nm (+25°C)
Shock resistance	980m/s ² , 6ms, 2 times each on XYZ
Vibration proof	50m/s ² , 10~200Hz, 2 hours each on XYZ
Working life	MTBF ≥ 10000h (+25°C, 2000rpm)
Weight	Appr. 200g
ENVIRONMENTAL SPECIFICATIONS	
Working humidity	30~85% (No condensation)
Storage temperature	-30°C~85°C
Working temperature	-10°C~70°C
Protection class	IP54

※ ISM8060 SERIES

Suitable for manual pulse input type such as NC or milling machinery

High reliability, terminal connection type

Power supply: 5V DC, 12V DC, 24V DC

Customer's logo is available

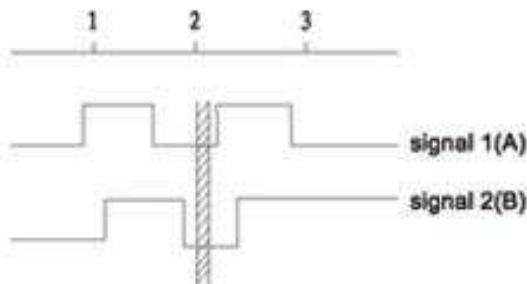
Application:

Industrial tooling machinery



Output waveform

90° Output phase difference, CW rotation (CW rotation as seen from fit surface)



A leads B clockwise when viewing the encoder shaft end.

Click-stop position falls within hatched area.

TECHNICAL SPECIFICATIONS

ELECTRICAL SPECIFICATIONS	
Output wave	Square wave
Output signals	A, B (Line driver output A, A, B, B phase)
Current consumption	≤ 100mA
Response Frequency	0-20KHz
Output phase difference	90° ± 45°
Supply voltage	5V DC, 12V DC
Signal level	V _H ≥ 85%V _{CC} , V _L ≤ 0.3V
Number of pulses	100 (Other number of pulse available on request)
Output circuit	Open collector NPN, Push pull, Line driver, Voltage
MECHANICAL SPECIFICATIONS	
Signal position	4 kind
Speed without sealing	500rpm
Starting torque without sealing	≤ 1.0 × 10 ⁻³ Nm (+25°C)
Shock resistance	980m/s ² , 6ms, 2 times each on XYZ
Vibration proof	50m/s ² , 10-200Hz, 2 hours each on XYZ
Working life	MTBF ≥ 10000h (+25°C, 2000rpm)
Weight	Appr. 275g
ENVIRONMENTAL SPECIFICATIONS	
Working humidity	30-85% (No condensation)
Storage temperature	-30°C-85°C
Working temperature	-10°C-70°C
Protection class	IP54

Terminal assignment

Code	1	2	3	4	5	6
Line driver output	+5V	0V	SIG A	SIG A	SIG B	SIG B
Other Output circuit	+5V	0V	SIG A	SIG B	-	-

Ordering code

ISM8060	—	002	100	B	—	24	C
Series		Sequence Number	Number of Pulses	Output Signals		Supply Voltage	Output Circuit

Series: ISM8060, Number of pulses: 100 p/r, Output signals: AB, Supply voltage: 24V DC, Output circuit: Open collector NPN, Record: ISM8060-002-100B-24C

Dimensions

